

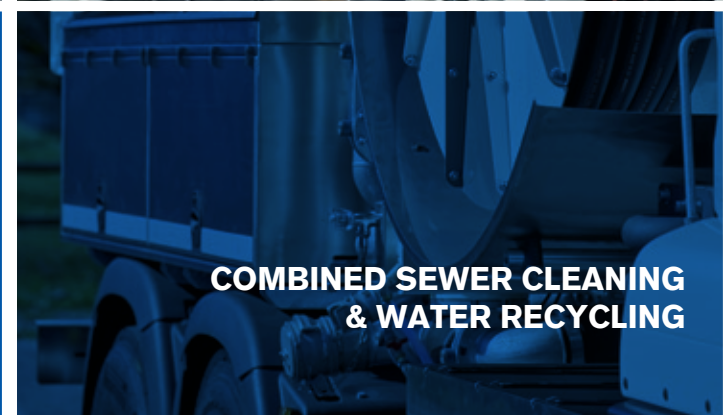
Kaiser. Performance counts.



THE NEW  
**AQUASTAR**  
GENERATION

# AquaStar

Top performance for flexible applications.



**COMBINED SEWER CLEANING  
& WATER RECYCLING**

---

# WHEN PERFORMANCE COUNTS.

THE NEW GENERATION OF THE KAISER AQUASTAR PRESENTED IN 2019 YET AGAIN SETS BENCHMARKS IN PERFORMANCE AND EFFICIENCY.

## Evolution of the technology leader

The KAISER AquaStar has been further developed in various areas. Key features are 55% more fresh water volume with a simultaneous increase in payload. In addition, the new KAISER*tronic* control system enables a significant reduction in fuel consumption and noise emissions. This is achieved by regulating engine speed in line with power requirements to ensure it is optimally tuned to the required cleaning capacity.

## Innovative operating concept

All relevant operating statuses are visualised by modern graphics on the remote control and on the control panel. Jetting and vacuuming capacity can be set steplessly and independently of one another. Automated system processes ensure the vehicle can be made ready for deployment quickly and guarantee efficient and safe working.



## DETAILS AT A GLANCE



A disconnectable auxiliary hose reel provides enhanced flexibility in the working zone.



Short set-up time with the combined suction and jetting boom KSR73.



Hydraulic fold-out rack system offering plenty of storage space and flexible use.



Tipping system and KAISER lock ring.



Street cleaning using washing bar with pneumatically actuated swing movement.



Touchscreen control panel with graphical visualisation of work processes. Proven KAISERteleservice remote maintenance system.



Hydraulically tiltable divider wall. ROTOMAX water recycling system.

## TECHNICAL SPECIFICATIONS AND EQUIPMENT

	3-Axle Truck (26 to)	4-Axle Truck (32 to)	5-Axle Truck (40 to)
Sludge/fresh water volume (l)	10,600 / 2700	12,600 / 2700	14,800 / 2700
Payload (kg)	9200	13,800	19,400
Dimensions L x W x H (mm)	8900 x 2500 x 3500	9550 x 2500 x 3500	10,300 x 2500 x 3500

### KAISERtronic regulation and control system

- > Automatic diesel engine speed control
- > Jetting and suction capacity can be set independently of one another
- > Monitoring of jetting water flow rate
- > Vacuum-dependent adjustment of suction capacity
- > Automatic system start-up and water filling
- > Patented valve monitor for high-pressure water pump
- > Hose level-dependent speed control of jetting reel
- > Intelligent cooling system for hydraulic oil
- > Integration of chassis operating data
- > KAISER*teleservice* remote maintenance system

### Radio remote control

- > Suction boom and jetting boom control
- > Variable hose reel and winch control
- > Vacuum and high-pressure water pump control
- > Tank cover, lock ring and tipping function
- > Start/stop and speed control for diesel engine

### With colour display for

- > Pressure monitor for vacuum and high-pressure pump
- > Water flow rate and water pressure at nozzle
- > Jetting hose metre counter with totalling function
- > Operating status and operating hours of main components
- > Fresh water and slurry tank filling level gauge
- > Image transmission from sewer camera or camera nozzle
- > Diesel engine speed and consumption\*
- > Axle load for chassis with air suspension\*

### High-pressure water and recycling system

- > KAISER high-pressure water pump KDU148 with a jetting capacity of 320 litres per minute and a maximum water pressure of 200 bar
- > ROTOMAX water recycling system with backflushing device
- > Jetting hose reel with capacity of 300 m 1" HP jetting hose
- > Jetting hose boom with 180° swivel drive
- > Tank cleaning nozzles

### Options

- > Jetting capacity 350/400/500 litres per minute
- > Auxiliary hose reel with capacity of 120 m ¾" HP jetting hose, optionally designed for recycling water
- > Hand reel with capacity of 40 m or 80 m ½" HP jetting hose
- > Telescoping jetting hose boom
- > Street washing bar
- > Autonomous fresh water pump

### Vacuum system

- > KAISER water ring vacuum pump KWP2000i with a suction capacity of 2000 m³/h and a maximum vacuum of 0.85 bar
- > Changeover head for fast switch from suction to pressure mode

### Options

- > Suction capacity 2400/3100/4000 m³/h
- > Telescoping suction boom KSR10, DN125 suction hose 1.45 m extendable, 300° swivel, up and down function
- > Spiral suction boom KSR22, DN125 suction hose approx. 12.5 m extendable, 300° swivel, telescoping plus up and down function
- > Suction boom KSR73 with combined suction and jetting hose boom, DN125 suction hose approx. 17.5 m extendable, 180° swivel, telescoping plus up and down function

### Tank superstructure

- > Tank in stainless steel
- > Fresh water chamber with built-in vacuum pump
- > Separator with automatic drainage
- > Tank cover with lock ring
- > Tipping system for complete emptying of the tank

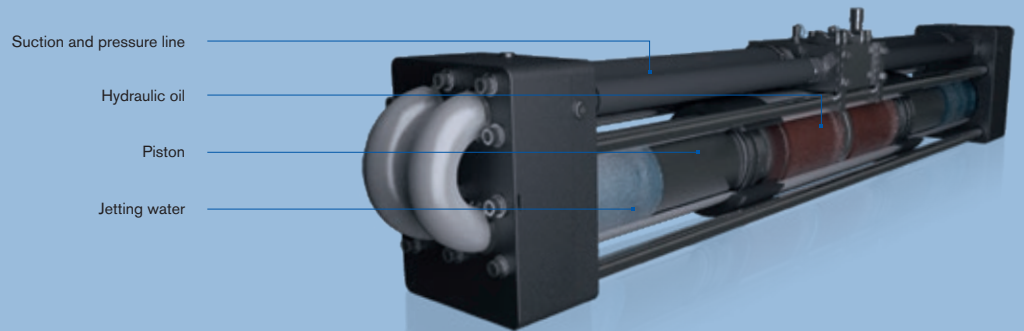
### Options

- > Tank in ADR execution
- > Hydraulically tiltable divider door
- > Dry suction device
- > Hydraulic fold-out rack system for suction pipes/hoses and accessories

## COMPONENTS AND TECHNOLOGY

### KAISER pressure transformer KDU – Jetting pump

The pressure transformer principle developed by KAISER proves its worth in daily use as the perfect solution for cleaning sewers, especially when combined with water recycling. The KDU is a hydraulically driven jetting pump that directly converts oil pressure/flow into water pressure/flow. Pressure and flow rate can be set independently of one another.

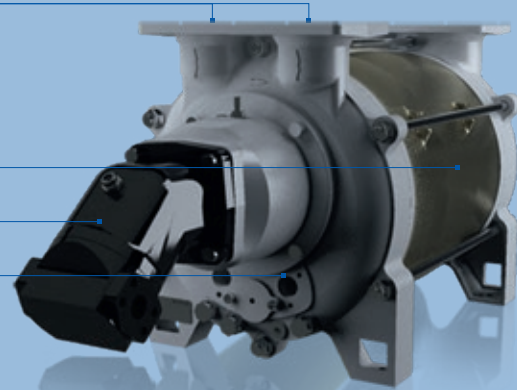


Suction and pressure connection

Aluminium pump housing

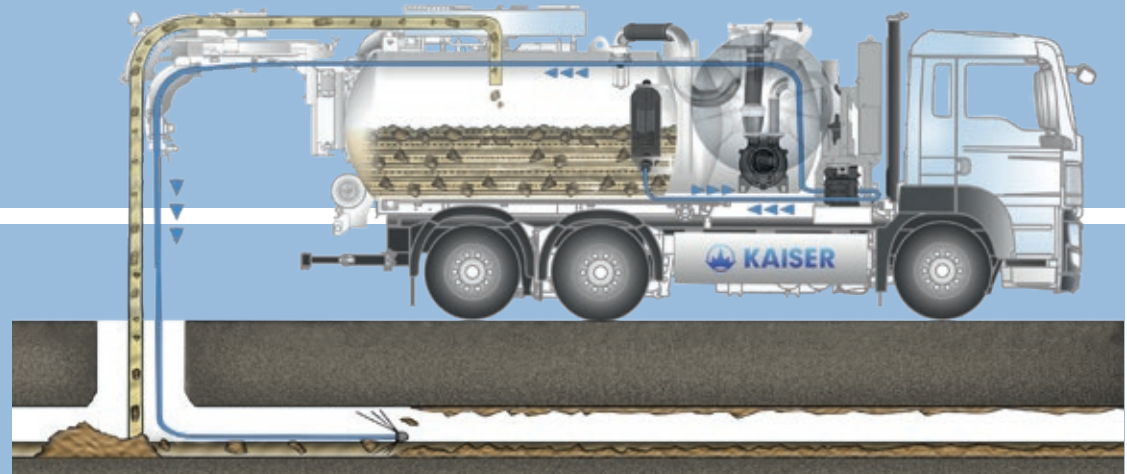
Hydraulic motor

Intercoler connection



### KAISER water ring pump KWP – Vacuum pump

KAISER shaped the industry with the first water ring pump in a lightweight construction. In the KWP housing, an eccentric rotor produces a ring of water using centrifugal power. Volume changes in the rotor chambers ensure that air is sucked in and compressed. This construction type features high resistance to dirt particles and is ideally suited to vacuuming wet and dry media.











### KAISER ROTOMAX – Water recycling system

The centrepiece of the ROTOMAX water recycling system is an oscillating rotary filter drum. Built into the front part of the sludge tank, this one-stage filter system separates solids from sewer water. The filtered water is channelled directly (without settling basin) to the KAISER pressure transformer for further jetting operations. Runs to refill with jetting water are dispensed with, fuel and water consumption substantially reduced.



**THE PATENTED KAISER WATER RECYCLING SYSTEM SAVES 24,000,000 LITRES OF FRESH WATER PER YEAR AND VEHICLE.**

## THE RIGHT KAISER PRODUCT FOR YOUR APPLICATION

RECYCLING VEHICLES	WATER TREATMENT VEHICLES	COMBINATION VEHICLES	JETTING AND VACUUM VEHICLES	DRY VACUUM VEHICLES	HYDROVACS	MOBILE WALKING EXCAVATOR	ROAD-RAIL EXCAVATOR
							
AquaStar	AquaStar WT	Elegance 2.0	Tornado	Cerberus	CV-Series	S12 Allroad	S22RR
Eco 3.0	KoDry	AquaStar	Elegance 2.0	Hercules	Urban X	S12 4x4	
EcoCycler		Combi Eur-Mark	Twister			S10	
CityCycler		Tornado	Special vehicles			S2	
EcoCombi		BasicLine					
CityCleaner							



The international focus on modern environmental technologies has led to the growing importance of efficient, high-performance vehicles for sewer cleaning and industrial disposal. The KAISER Group is the leading player in the world market.

Subject to change without notice. Technical specifications may change, depending on the chosen options and accessories. All photos and diagrams are for illustration only.