



**TECHNICAL SHEET**



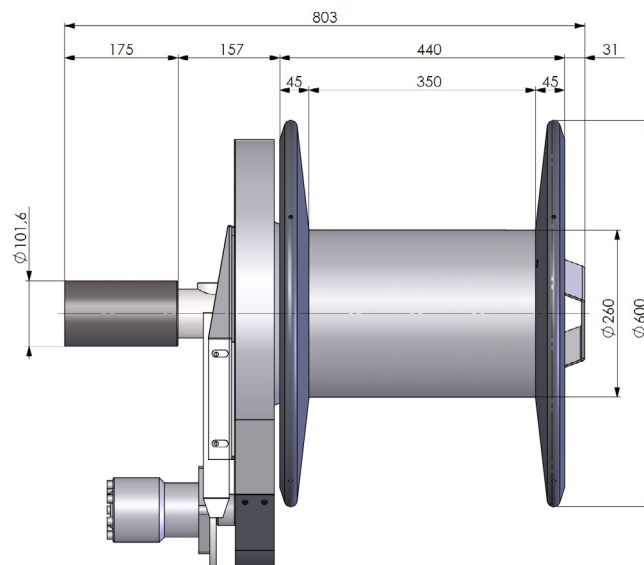
**HYDRAULIC SIDE HOSE REEL**

## Description



Hydraulic side hose reel with welded bushing support, manual or automatic hose guide and chain protection. Carbon Steel or Stainless Steel versions.

## Dimensions



## Technical data

parameter	value
Working pressure	250 bar
Max hydraulic pressure	120 bar
Hydraulic oil flowrate	20 l/min
Hose diameter	1/2" / 3/4"
Max hose length	80 m
Weight	90 kg

## Main features

- Hydraulic hose reel
- 1/2" hose (hose not included)
- Max hose length 80 m
- Hydraulic motor
- Chain protection
- Automatic hose guide
- Mild steel / Stainless steel

## Versions

code	description
6.481201810-2	1/2" mt80 fe
6.481201860-2	1/2" mt80 inox
6.481201820-2	3/4" MT80 fe
6.481201870-2	3/4" MT80 inox
6.861001930-1	GTA 1/2" MT80 fe
6.861001880-1	GTA 1/2" MT80 inox
6.861001740-1	GTA 3/4" MT80 fe
6.861001720-1	GTA 3/4" MT80 inox

## Examples of application





# **MORO KAISER** **COMPONENTS**

**MORO KAISER S.R.L.**

Via Pontebbana, 16  
33080 FIUME VENETO (PN) ITALY

Tel. 0434 951.211

Fax: 0434 957.786

[infomoro@morokaiser.it](mailto:infomoro@morokaiser.it)