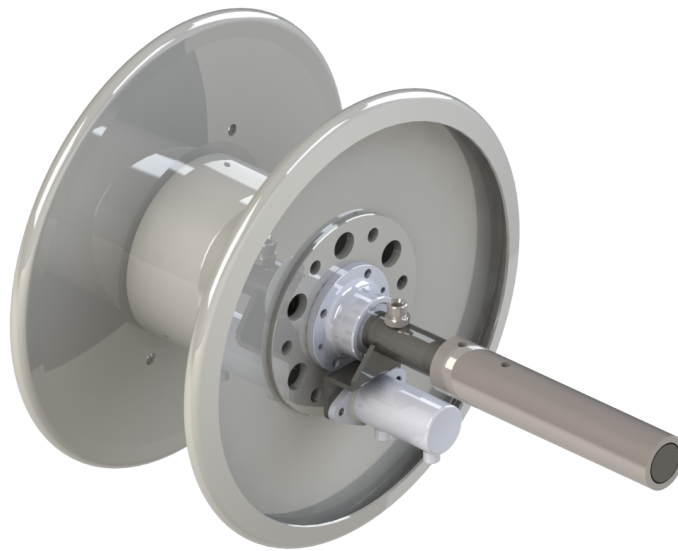


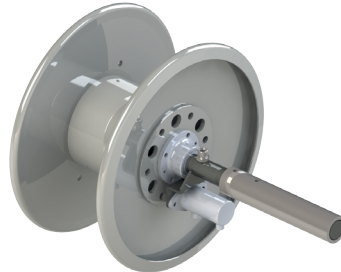


TECHNICAL SHEET



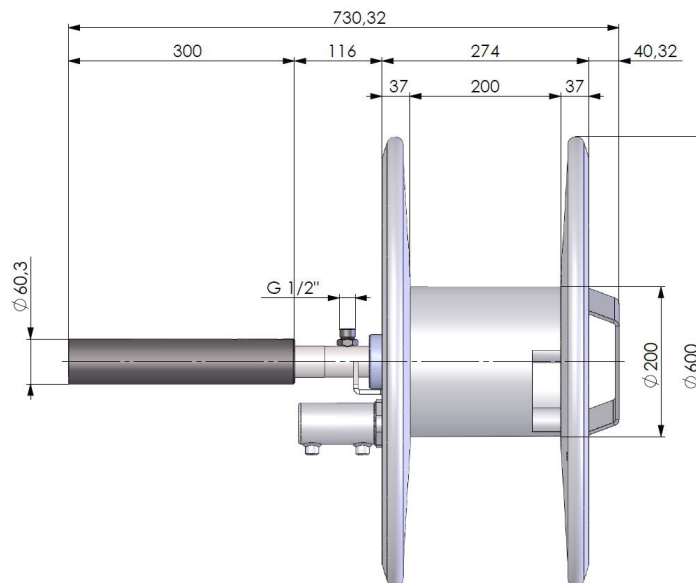
MANUAL SIDE HOSE REEL

Description



Manual side hose reel with manual or pneumatic locking device and welded bushing support. Carbon Steel or Stainless Steel versions.

Dimensions



Technical data

parameter	value
Working pressure	250 bar
Hose diameter	1/2"
Max hose length	40 m / 80 m
Weight	25 - 35 kg

Main features

- Manual hose reel
- 1/2" hose (hose not included)
- Max hose length 80 m
- Cylinder for drum blockage
- Mild steel / Stainless steel

Versions

code	description
6.481201790-2	1/2" m 40 fe
6.481201840-2	1/2" m 40 inox
6.481201800-2	1/2" m 80 fe
6.481201850-2	1/2" m 80 inox
6.481202400-2	1/2" m 40 fe with pneumatic lock
6.481202420-2	1/2" m 40 inox with pneumatic lock
6.481202410-2	1/2" m 80 fe with pneumatic lock
6.481202430-2	1/2" m 80 inox with pneumatic lock

Examples of application





MORO KAISER **COMPONENTS**

MORO KAISER S.R.L.

Via Pontebbana, 16
33080 FIUME VENETO (PN) ITALY

Tel. 0434 951.211

Fax: 0434 957.786

infomoro@morokaiser.it