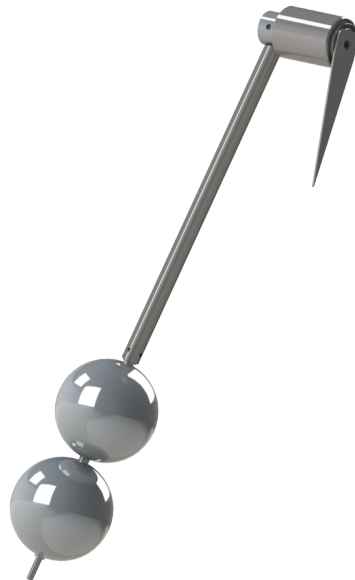


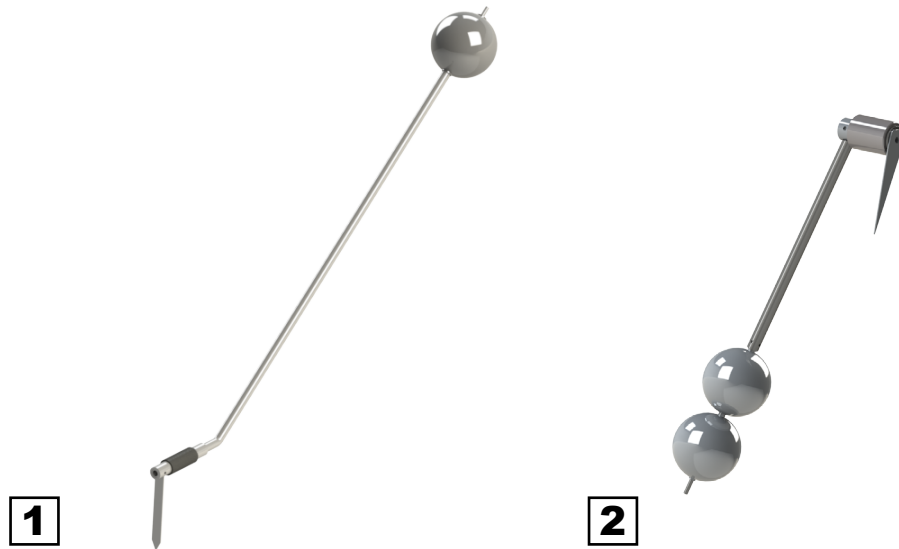


TECHNICAL SHEET



FLOAT LEVEL INDICATORS

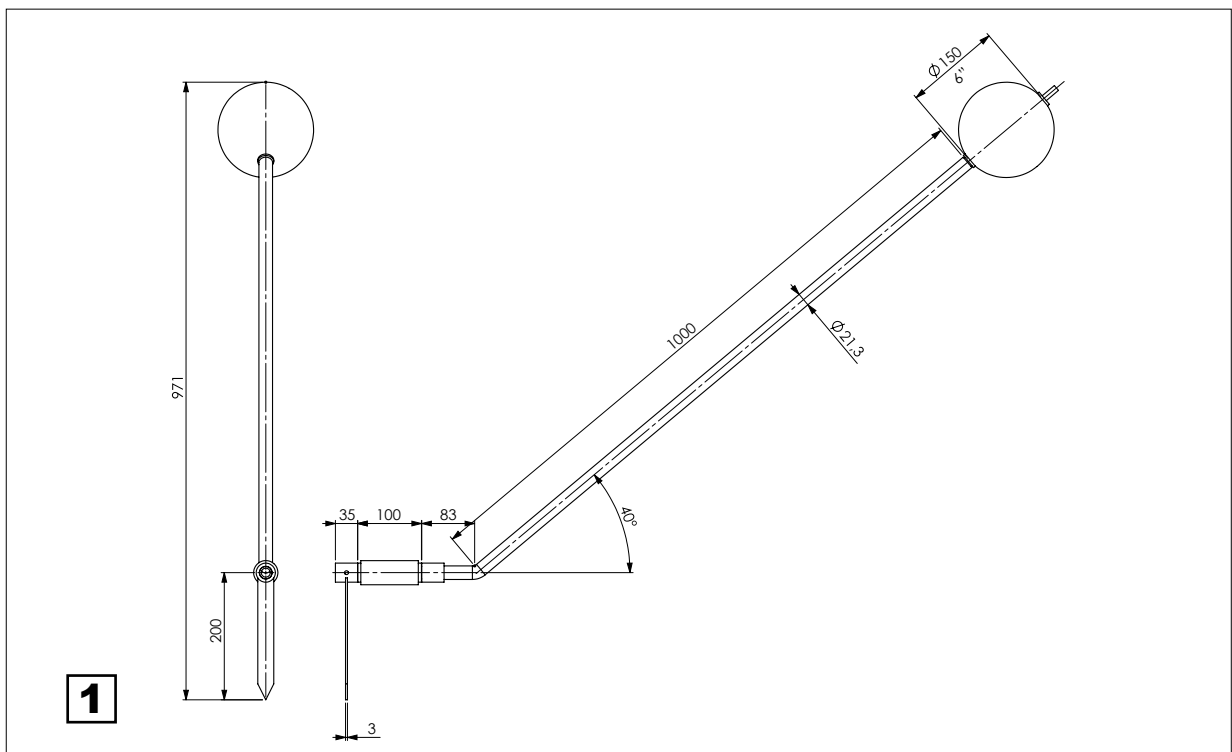
Description

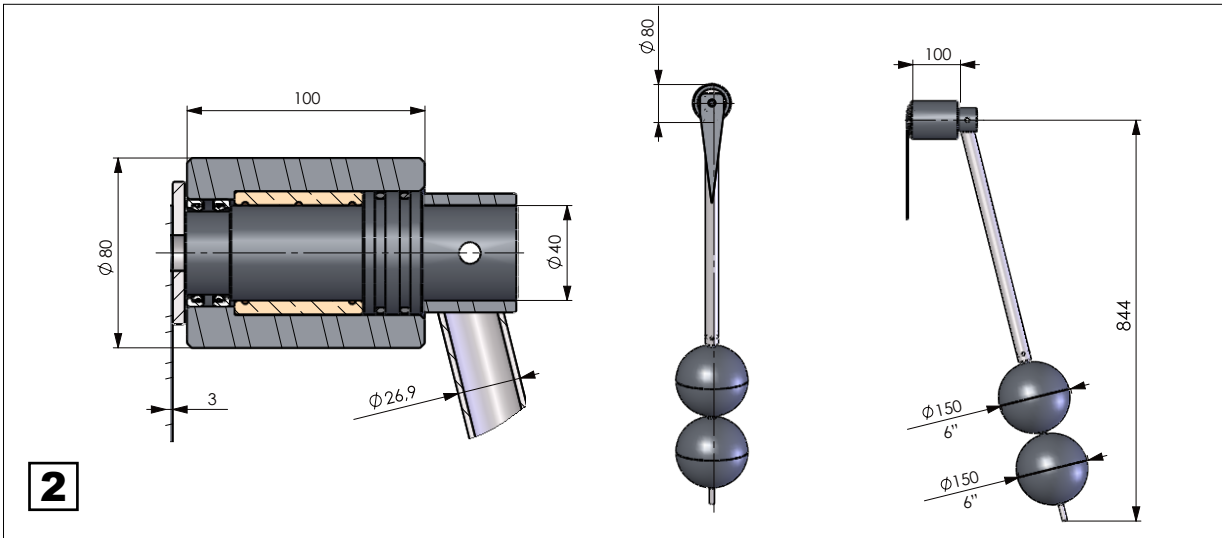


Float level indicator kit with arrow

Float level indicator system with external arrow, with plastic or Stainless Steel float 6" balls, easy mounting tank kit with welding bushing. 1 bar - 14,5 psi to 4 bar - 58 psi working pressure. Carbon Steel or Stainless Steel available. Option with limit switch and horn to avoid the tank to overflow.

Dimensions



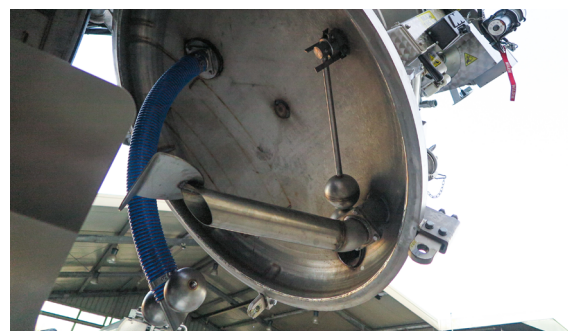


2

Versions and accessories

| description | code |
|--|--|
| Float level indicator Carbon steel with 6" plastic ball (1 BAR) - Limit switch - Horn | 6.88000020-2 6.928056290-2 46396000004 |
| Carbon Steel Float level indicator with 6" Stainless Steel ball (4 BAR) - Limit switch - Horn | 6.880000230-2C 6.928056290-2 46396000004 |
| Stainless Steel Float level indicator with 6" Stainless Steel ball (4 BAR) - Limit switch - Horn | 6.880000360-2C 6.928056290-2 46396000004 |

Examples of application





MORO KAISER **COMPONENTS**

MORO KAISER S.R.L.

Via Pontebbana, 16
33080 FIUME VENETO (PN) ITALY

Tel. 0434 951.211

Fax: 0434 957.786

infomoro@morokaiser.it