

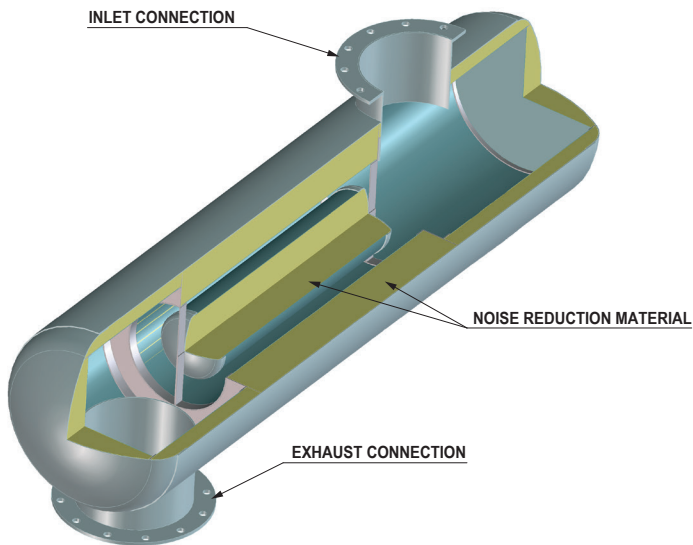


TECHNICAL SHEET



**BLOWER PUMPS
SILENCERS**

Description / Dimensions

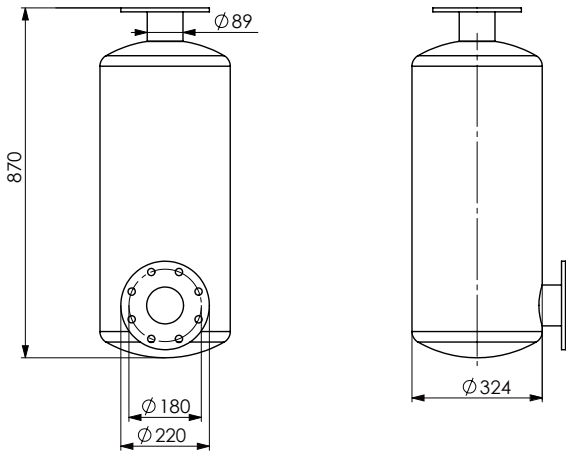


**BLOWER PUMPS
SILENCER**

BLOWER PUMPS SILENCERS

3" Carbon steel silencer
 3" Carbon steel silencer - Max flow 840 m³/h or 494 cfm.
 Silencer for dry air filtration without oil inside.

3" CARBON STEEL SILENCER

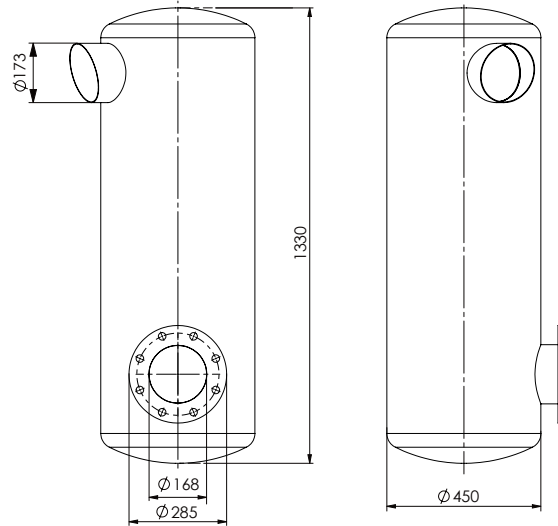


6" Carbon steel silencer

6" Carbon steel silencer - Flow 840 - 2724 m³/h or 494 - 1603 cfm.

Silencer for dry air filtration without oil inside.

6" CARBON STEEL SILENCER

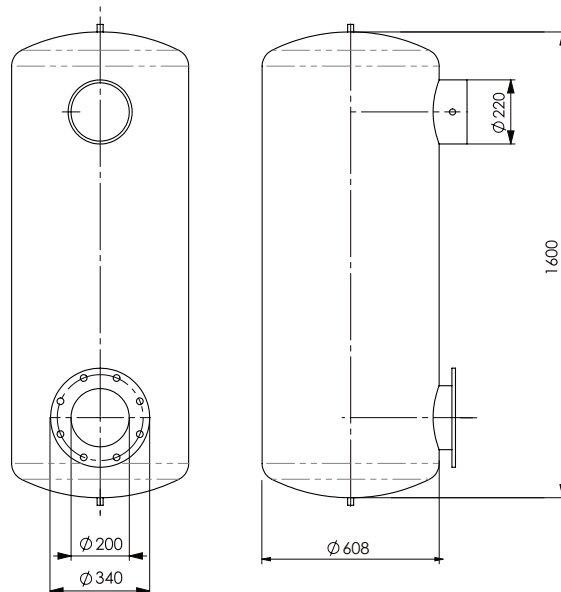


8" Carbon steel silencer

8" Carbon steel silencer - Flow 2724 - 3900 m³/h or 1603 - 2296 cfm.

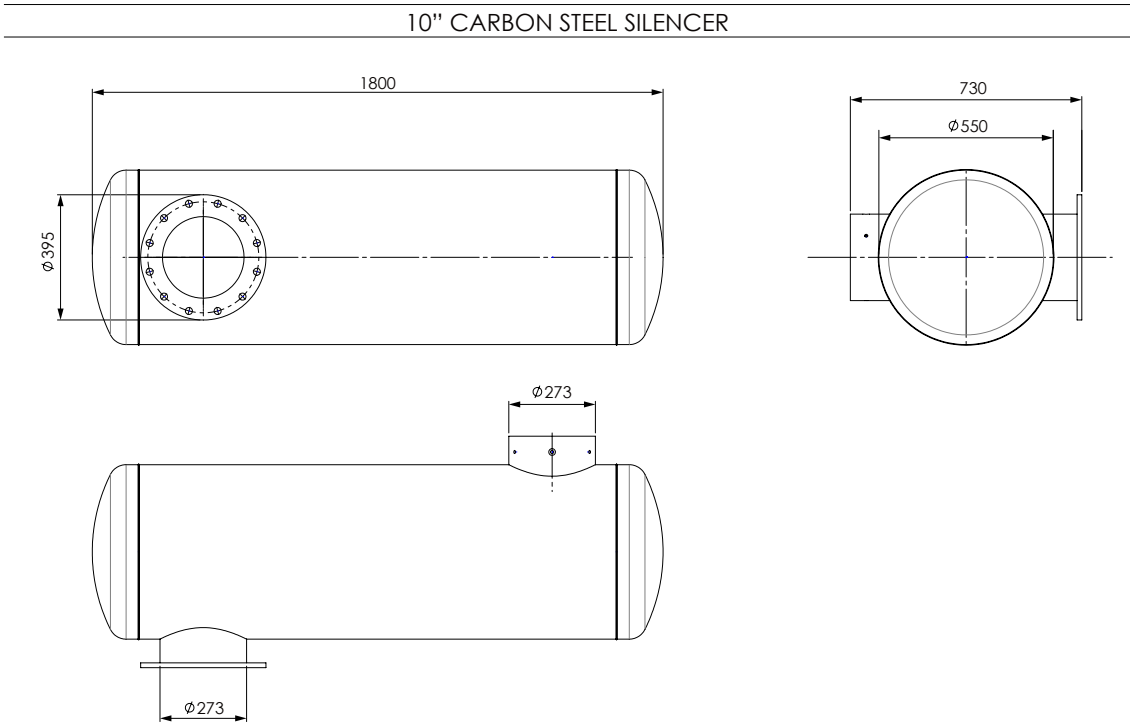
Silencer for dry air filtration without oil inside.

8" CARBON STEEL SILENCER



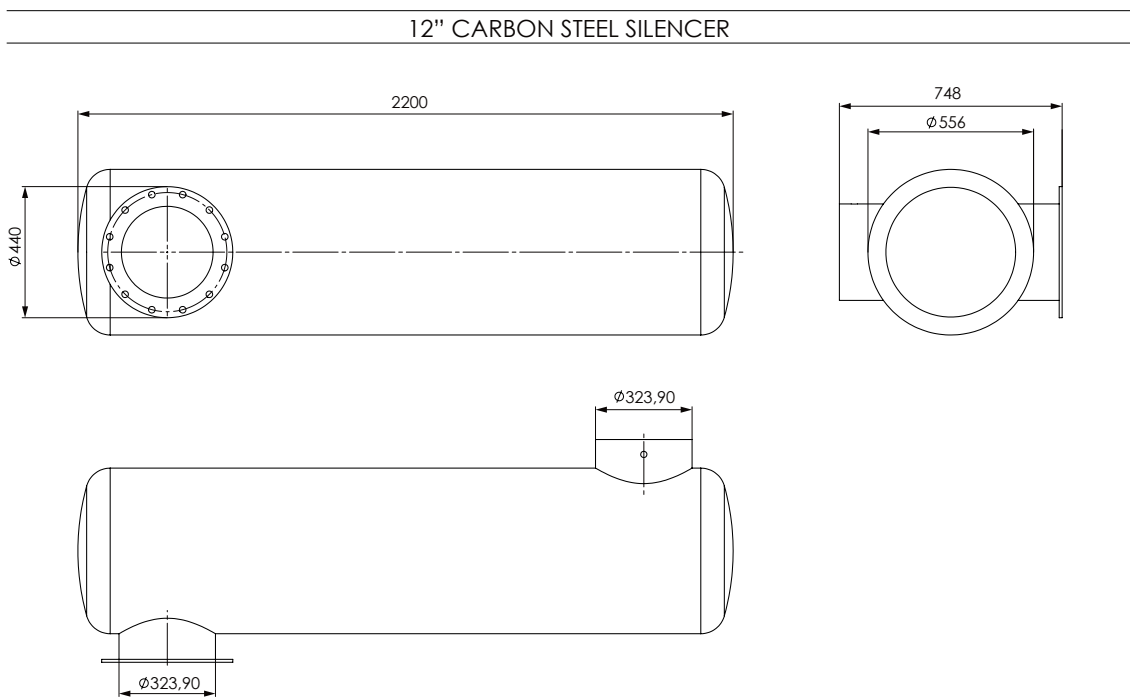
10" Carbon steel silencer

10" Carbon steel silencer - Flow 3900 - 5950 m³/h or 2296 - 3502 cfm.
Silencer for dry air filtration without oil inside.



12" Carbon steel silencer

12" Carbon Steel silencer - Flow 5950 - 10500 m³/h or 3502 - 6180 cfm.
Silencer for dry air filtration without oil inside.



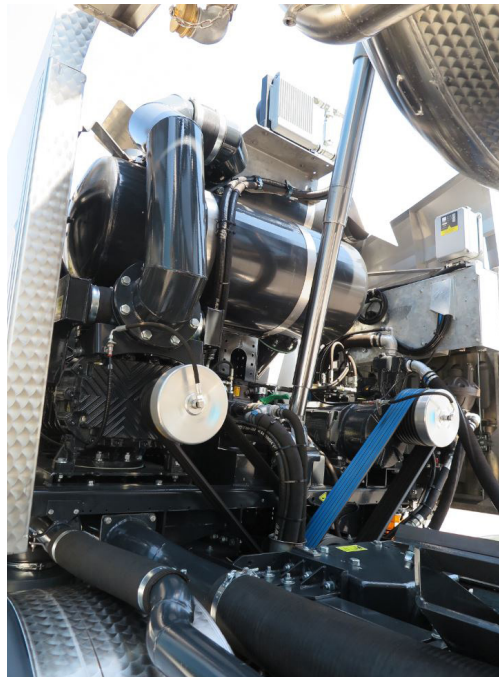
Technical data

Materials	Carbon steel

Versions and kits

description	code	weight
3" Carbon steel silencer (max flow 840 m ³ /h or 494 cfm)	45916000021	62 kg
6" Carbon steel silencer (flow 840 - 2724 m ³ /h or 494 - 1603 cfm)	6.549000280-1	79 kg
8" Carbon steel silencer (flow 2724 - 3900 m ³ /h or 1603 - 2296 cfm)	6.549000290-1	100 kg
10" Carbon steel silencer (flow 3900 - 5950 m ³ /h or 2296 - 3502 cfm)	45916000009	126 kg
12" Carbon steel silencer (flow 5950 - 10500 m ³ /h or 3502 - 6180 cfm)	45916000015	178 kg

Examples of application





MORO KAISER **COMPONENTS**

MORO KAISER S.R.L.

Via Pontebbana, 16
33080 FIUME VENETO (PN) ITALY

Tel. 0434 951.211

Fax: 0434 957.786

infomoro@morokaiser.it