

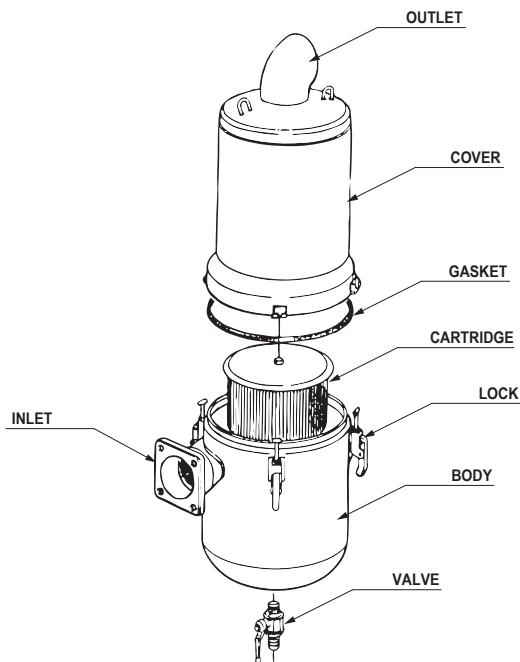


TECHNICAL SHEET



VANE PUMPS
OIL TRAP FILTERS - SILENCERS

Description / Dimensions



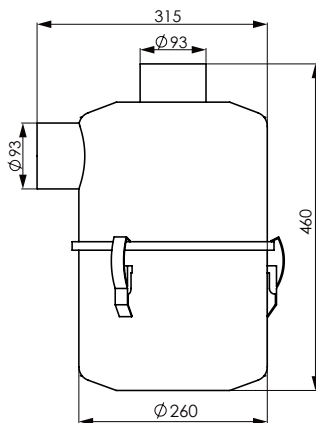
**VANE PUMPS
OIL TRAP FILTER - SILENCER**

VANE PUMP OIL TRAP FILTERS - SILENCERS

3" Carbon steel oil trap filter - silencer

3" Carbon steel oil trap filter - with integrated silencer - Max flow 720 m³/h or 424 cfm.
Oil trap and silencer with washable cartridge inside.

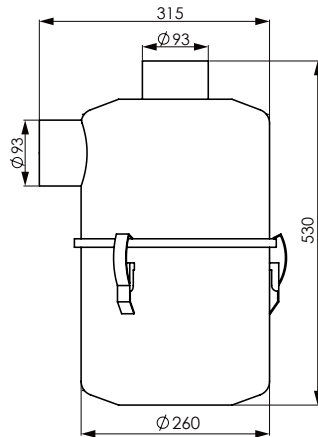
3" CARBON STEEL OIL TRAP FILTER - SILENCER



3" Carbon steel oil trap filter - silencer

3" Carbon steel oil trap filter - with integrated silencer - Flow 720 - 984 m³/h or 424 - 579 cfm.
Oil trap and silencer with washable cartridge inside.

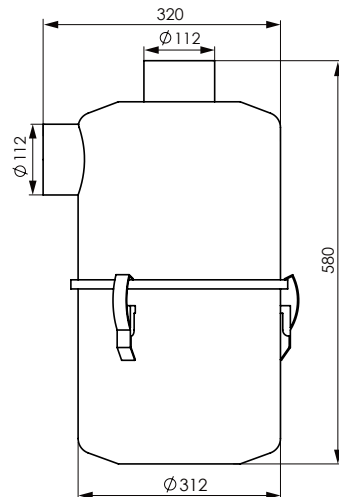
3" CARBON STEEL OIL TRAP FILTER - SILENCER



4" Carbon steel oil trap filter - silencer

4" Carbon steel oil trap filter - with integrated silencer - Flow 780 - 1152 m³/h or 460 - 678 cfm.
Oil trap and silencer with washable cartridge inside.

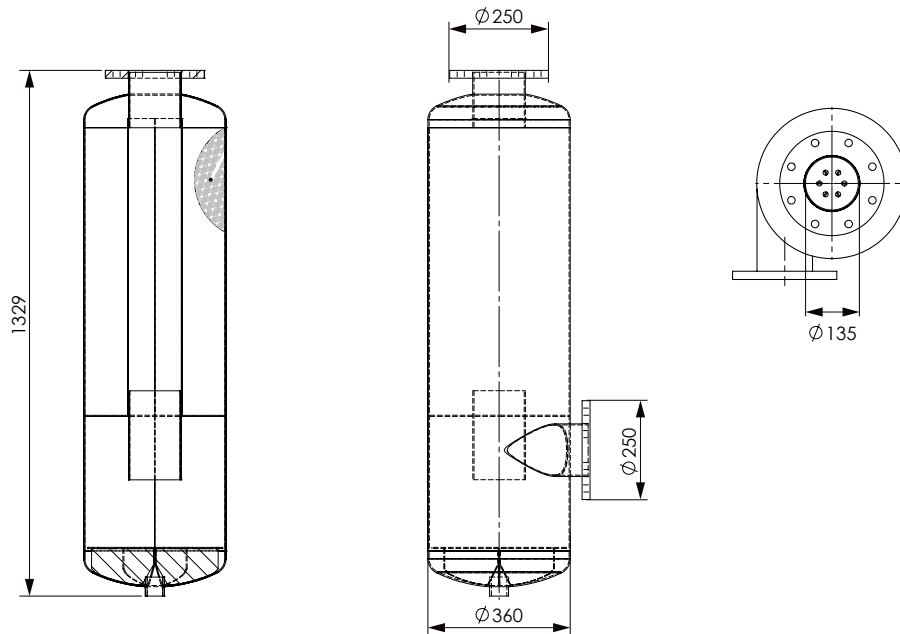
4" CARBON STEEL OIL TRAP FILTER - SILENCER



5" Carbon steel oil trap filter - silencer

5" Carbon steel oil trap filter - with integrated silencer - Flow 1152 - 1700 m³/h or 678 - 1001 cfm.

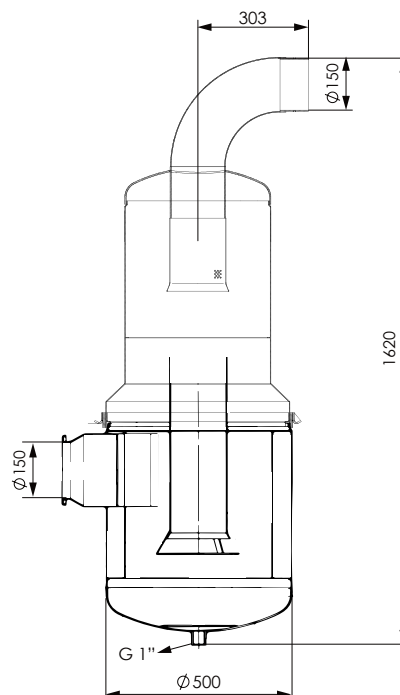
5" CARBON STEEL OIL TRAP FILTER - SILENCER



6" Carbon steel oil trap filter - silencer

6" Carbon steel oil trap filter - with integrated silencer - Flow 1700 - 2800 m³/h or 1001 - 1648 cfm.

6" CARBON STEEL OIL TRAP FILTER - SILENCER



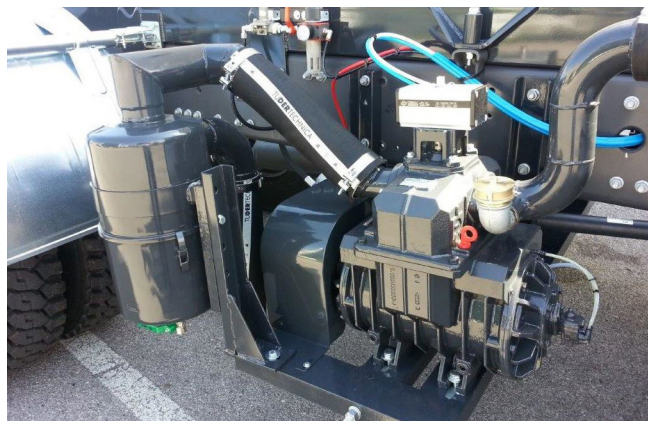
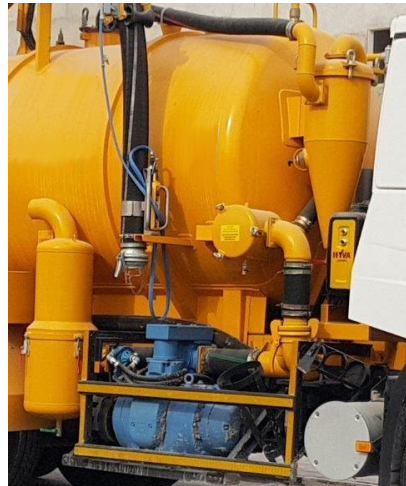
Technical data

Materials	Carbon steel

Versions and kits

description	code	weight
3" Carbon steel silencer (max flow 720 m3/h or 424 cfm)	6.927095110-2	8,3 kg
3" Carbon steel silencer KIT with welding bracket, inlet/outlet elbows and draining gate valve	6.841100060-2	14 kg
3" Carbon steel silencer (flow 720 - 984 m3/h or 424 - 579 cfm)	6.926605004-1	9,8 kg
4" Carbon steel silencer (flow 780 - 1152 m3/h or 460 - 678 cfm)	6.927095100-2	13,4 kg
4" Carbon steel silencer KIT with welding bracket, inlet/outlet elbows and draining gate valve	6.841100050-2	23 kg
5" Carbon steel silencer (flow 1152 - 1700 m3/h or 678 - 1001 cfm)	6.344500090-1	70 kg
6" Carbon steel silencer (flow 1700 - 2800 m3/h or 1001 - 1648 cfm)	6.448000000-2	88 kg

Examples of application





MORO KAISER **COMPONENTS**

MORO KAISER S.R.L.

Via Pontebbana, 16
33080 FIUME VENETO (PN) ITALY

Tel. 0434 951.211

Fax: 0434 957.786

infomoro@morokaiser.it