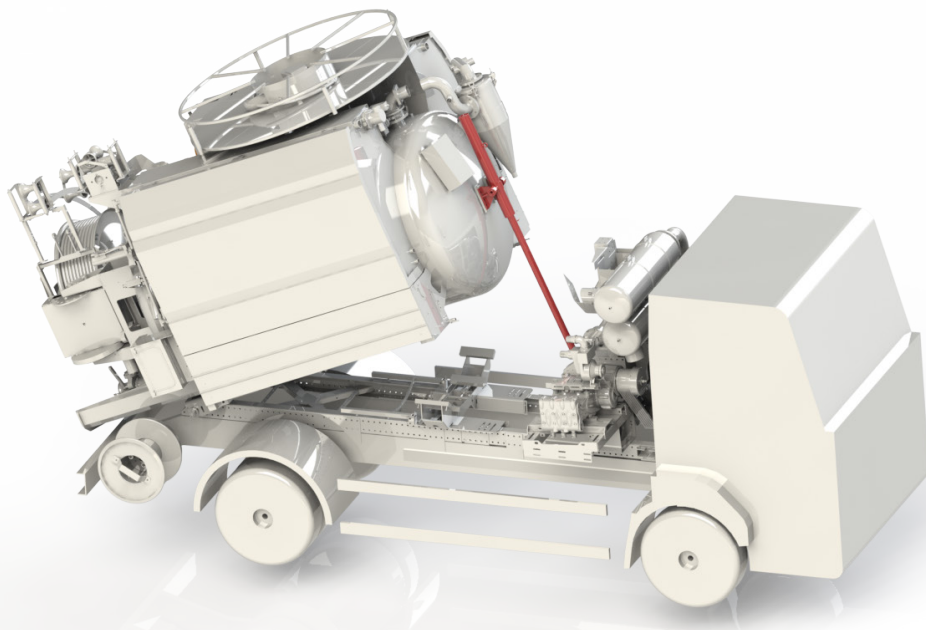


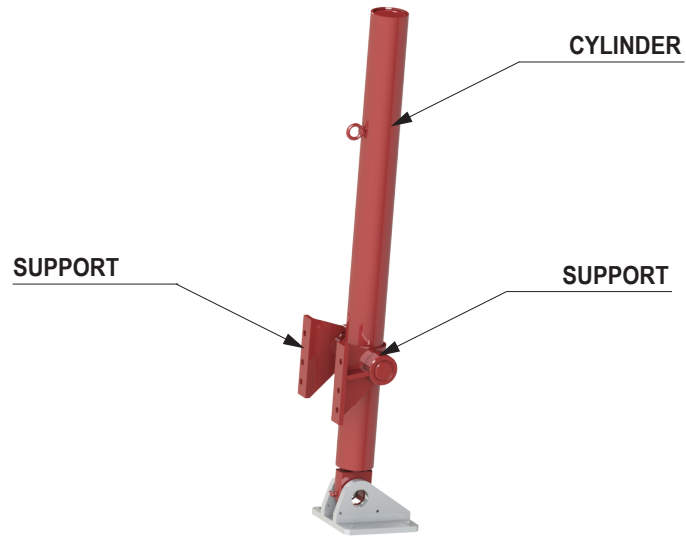


TECHNICAL SHEET



TIPPING CYLINDERS

Description / Dimensions

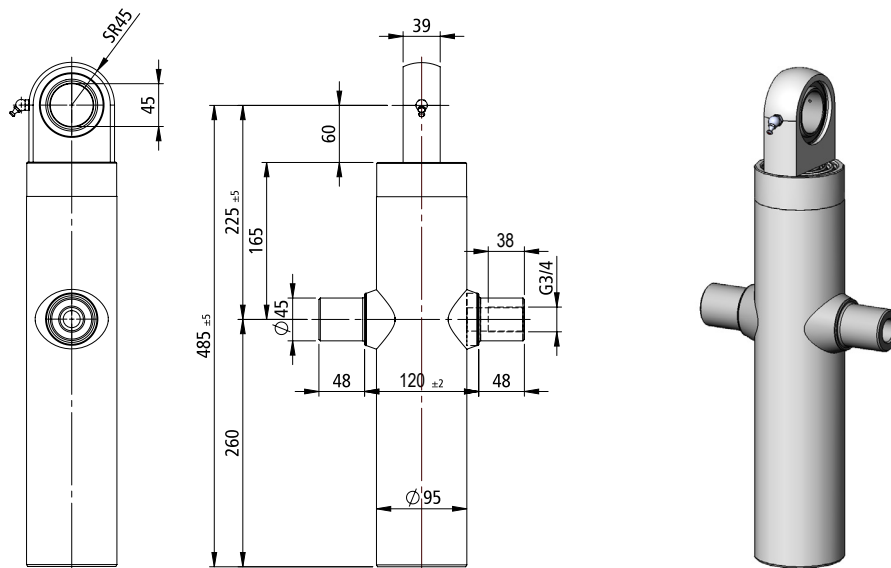


HYDRAULIC TIPPING CYLINDERS

One way hydraulic tipping cylinder - 970 stroke

Left Opening and closing rear door hydraulic cylinders stroke 500 mm for manual rear door clamps, with parachute valve and automatic flow regulator.

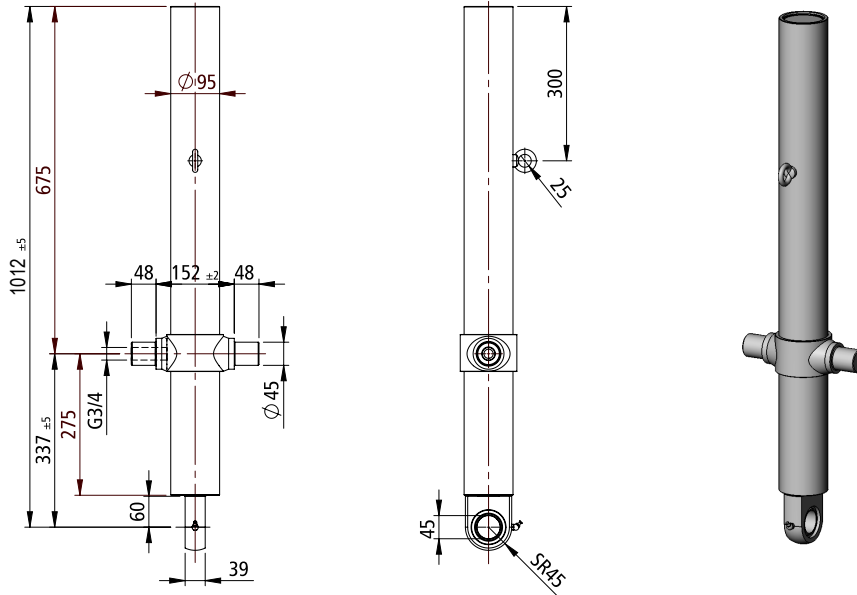
ONE WAY HYDRAULIC TIPPING CYLINDER - 970 STROKE



One way hydraulic tipping cylinder - 2267 stroke

Telescoping hydraulic tipping cylinder with only one entry and one hydraulic hose connection need , with left and right tank bracket.

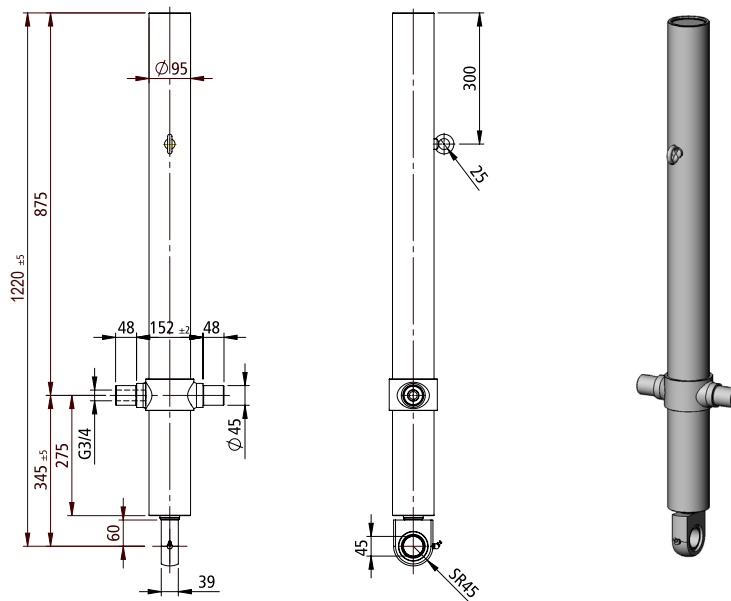
ONE WAY HYDRAULIC TIPPING CYLINDER - 2267 STROKE



One way hydraulic tipping cylinder - 2940 stroke

Telescoping hydraulic tipping cylinder with only one entry and one hydraulic hose connection need , with left and right tank brackets.

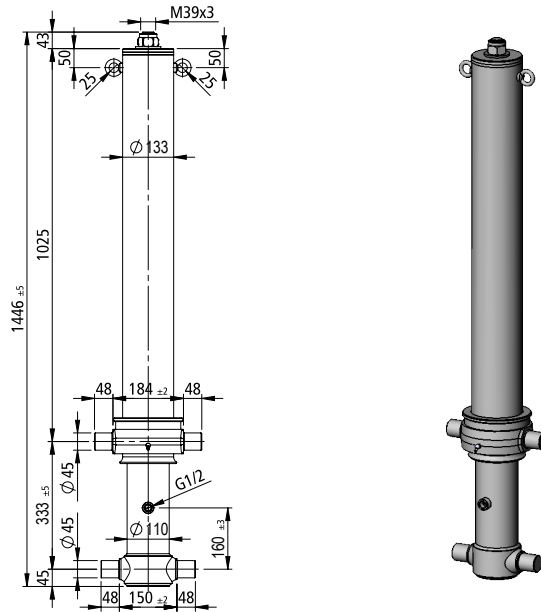
ONE WAY HYDRAULIC TIPPING CYLINDER - 2940 STROKE



One way hydraulic tipping cylinder - 3559 stroke

Telescoping hydraulic tipping cylinder with only one entry and one hydraulic hose connection need , with left and right tank bracket.

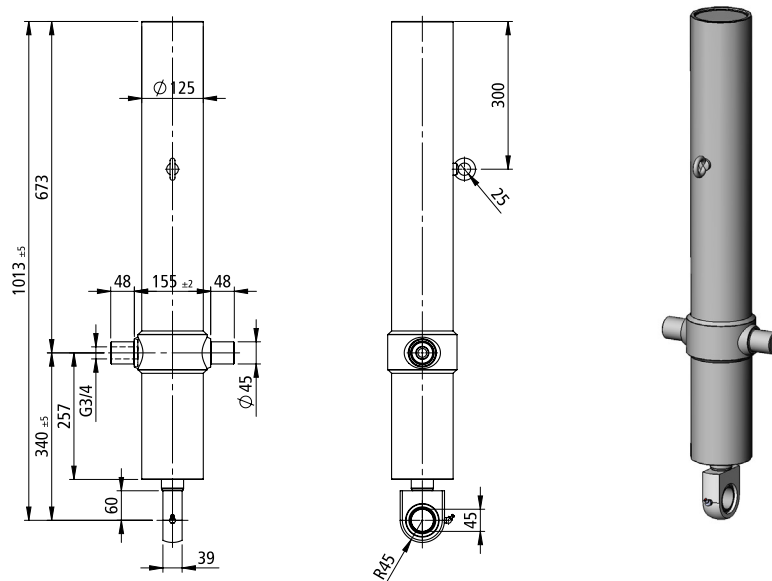
ONE WAY HYDRAULIC TIPPING CYLINDER - 3559 STROKE



One way hydraulic tipping cylinder - 3656 stroke

Telescoping hydraulic tipping cylinder with only one entry and one hydraulic hose connection need , with left and right tank bracket.

ONE WAY HYDRAULIC TIPPING CYLINDER - 3656 STROKE



Technical data

Stroke	970	2267	2940	3559	3656
Tipping total weight	4-9 ton	7-17 ton	7-17 ton	11-15 ton	10-23 ton
Maximum thrust	41 kN	34 kN	34 kN	54 kN	51 kN
Maximum working pressure	220 bar	220 bar	220 bar	220 bar	200 bar
Weight	22 kg	47 kg	56 kg	110 kg	72 kg

Versions

description	code
Tipping hydraulic cylinder one way 970 stroke	6.927041070-1
Tipping hydraulic cylinder one way 2267 stroke	6.1014366-8-2
Tipping hydraulic cylinder one way 2940 stroke	6.1016891-7-2C
Tipping hydraulic cylinder one way 3559 stroke	6.927024125-2
Tipping hydraulic cylinder one way 3656 stroke	6.1022776-5-2C

Accessories

description	code
Flow regulator	6.927000027-2
Pilot operated check valve	6.1023734-4-2
Check valve support block	6.1023724-6-2
End stop hydraulic tipping cylinder vale (by-gate)	6.927015350-1

Examples of application





MORO KAISER **COMPONENTS**

MORO KAISER S.R.L.

Via Pontebbana, 16
33080 FIUME VENETO (PN) ITALY

Tel. 0434 951.211

Fax: 0434 957.786

infomoro@morokaiser.it