

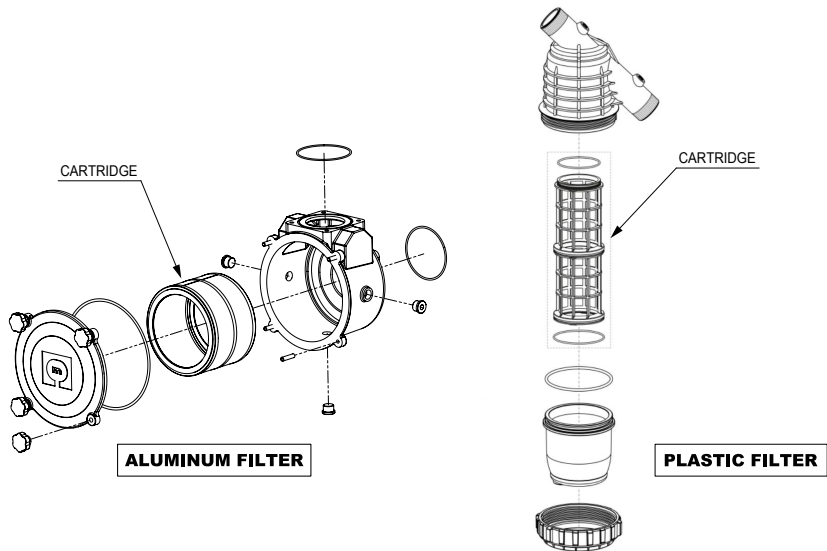


TECHNICAL SHEET



WATER FILTERS

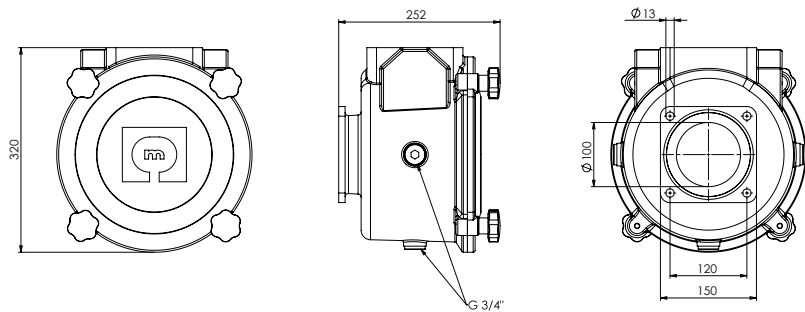
Description / Dimensions



WATER FILTERS

4" ALUMINUM WATER FILTER

Moro Kaiser Aluminum water filter with 4" flanged inlet - outlet with Stainless Steel cartridge inside. 1" draining hole.

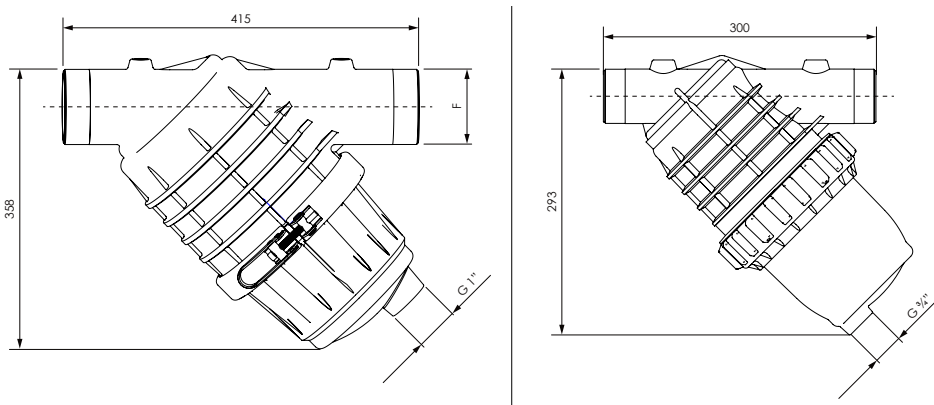


3" PLASTIC WATER FILTER

2" PLASTIC WATER FILTER

Plastic 3" threaded inlet-outlet filter with Stainless Steel cartridge inside. 1" draining hole.

Plastic 2" threaded inlet-outlet filter with Stainless Steel cartridge inside. 3/4" draining hole.



Technical data

	4" aluminum	3" plastic	2" plastic
Materials	4" aluminum	3" plastic	2" plastic
Filtering capacity	73 m3/h	46 m3/h	23 m3/h
Screen type	50 mesh	32 mesh	32 mesh
Weight	9 kg	3,8 kg	1,7 kg

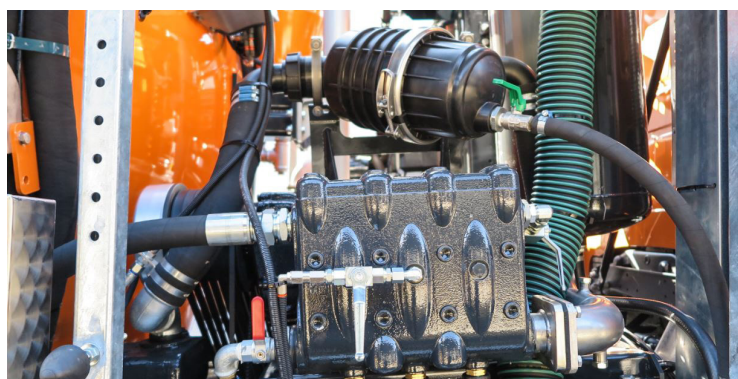
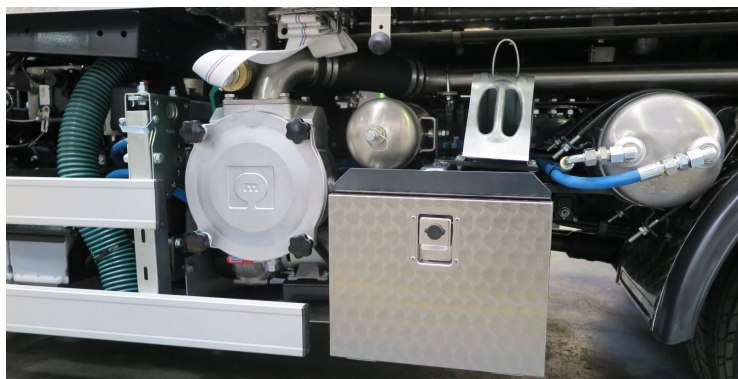
Versions

description	code
4" flanged aluminum water filter	6.444300290-1
3" threaded plastic water filter	6.927110100-2
2" threaded plastic water filter	6.927110050-2

Accessories

description	code
4" Stainless steel end water sensor support	42904300053
4" Filter welding flange	6.610002760-2
4" Gasket for welding flange	6.680500180-2
2"-3" Welding stainless steel end water sensor support	6.925018104-2
(all versions) Magnetic water sensor with timer	6.1017514-2-2

Examples of application





MORO KAISER **COMPONENTS**

MORO KAISER S.R.L.

Via Pontebbana, 16
33080 FIUME VENETO (PN) ITALY

Tel. 0434 951.211

Fax: 0434 957.786

infomoro@morokaiser.it